

Honeywell

Xenon Ultra 196X Series Accessories

User Guide

Disclaimer

Honeywell International Inc. (“HII”) reserves the right to make changes in specifications and other information contained in this document without prior notice, and the reader should in all cases consult HII to determine whether any such changes have been made. HII makes no representation or warranties regarding the information provided in this publication.

HII shall not be liable for technical or editorial errors or omissions contained herein; nor for incidental or consequential damages resulting from the furnishing, performance, or use of this material. HII disclaims all responsibility for the selection and use of software and/or hardware to achieve intended results.

This document contains proprietary information that is protected by copyright. All rights are reserved. No part of this document may be photocopied, reproduced, or translated into another language without the prior written consent of HII.

Copyright © 2023 Honeywell Group of Companies. All rights reserved.

Web Address: sps.honeywell.com

Trademarks

Other product names or marks mentioned in this document may be trademarks or registered trademarks of other companies and are the property of their respective owners.

Patents

For patent information, refer to www.hsmpats.com.

TABLE OF CONTENTS

Customer Support	v
Technical Assistance	v
Product Service and Repair	v
Limited Warranty	v
Chapter 1 - Introduction	1
List of Accessories	2
Agency Models	2
Chapter 2 - Presentation CCB.....	3
Out of the Box	3
Features	4
Front.....	4
Back.....	4
Connect Power	4
Charge the Scanner.....	6
Mount a Presentation CCB.....	7
Status LED	7
Product Specifications	7
Required Safety Labels	8
Chapter 3 - Replace the Cup	9
Out of the Box.....	9
Features	10

Front	10
Back	10
Replace the Cup	10
Required Safety Labels	12
Chapter 4 - Replace the Magnet.....	13
Install the Magnet	13
Remove the Magnet.....	14
Chapter 5 - Replace the End Cap.....	15
Out of the Box.....	16
Replace Contact Battery or Battery-free Supercapacitor.....	16
Replace Contactless Battery or Battery-free Supercapacitor.....	17
Chapter 6 - Horizontal CCB	19
Out of the Box.....	19
Features.....	20
Connect Power.....	20
Route the Cables	23
Locking System	23
Mount the Horizontal CCB.....	24
Horizontal Mount.....	24
Vertical Mount.....	25
Status LED.....	25
Product Specifications	26
Required Safety Labels	27
Chapter 7 - 1960 Flex Stand.....	29
Out of the Box.....	29

Customer Support

Technical Assistance

To search our knowledge base for a solution or to log in to the Technical Support portal and report a problem, go to honeywell.com/PSTechnicalsupport.

For our latest contact information, see sps.honeywell.com.

Product Service and Repair

Honeywell International Inc. provides service for all of its products through service centers throughout the world. Go to sps.honeywell.com and select **Support** to find a service center near you or to get a Return Material Authorization number (RMA #) before returning a product.

Limited Warranty

For warranty information, go to sps.honeywell.com and select **Support > Warranties**.

INTRODUCTION

Honeywell offers a full range of accessories for the Xenon Ultra, including horizontal and Presentation charge and communication bases.

The accessories included in this guide are compatible with Xenon Ultra scanners.

- Presentation Charge and Communication Base (CCB)
- Replacement Magnet for Presentation Base
- Replacement Cups for Presentation Base
- Replacement Contact and Contactless End Cap
- Horizontal Charge and Communication Base (CCB)
- Flexible Presentation Stand



Caution: We recommend the use of Honeywell accessories and power adapters. Use of any non-Honeywell accessories or power adapters may cause damage not covered by the warranty.

Mise en garde : Il est recommandé d'utiliser les périphériques, les cordons d'alimentation et les adaptateurs secteur conçus par Honeywell. L'utilisation de tout périphérique, cordon d'alimentation ou adaptateur secteur d'une autre marque est susceptible de provoquer des dommages non couverts par la garantie.



Caution: Make sure that all components are dry prior to using the computers and batteries with accessories. Using wet components may cause damage not covered by the warranty.

Mise en garde : Assurez-vous que tous les composants sont secs avant de connecter les terminaux/batteries à des périphériques. L'insertion de composants humides risque de provoquer des dommages non couverts par la garantie.

List of Accessories

Accessory	Part Number
Horizontal Charge and Communication Base - Healthcare White	CCB-ULTRA-HORIZ-HC
Horizontal Charge and Communication Base - Black	CCB-ULTRA-HORIZ-GP
Horizontal Charge and Communication Base - Contactless - Healthcare White	CCB-ULTRA-HORIZ-HCWC
Horizontal Charge and Communication Base - Contactless - Black	CCB-ULTRA-HORIZ-GPWC
Charge and Communication Base with Cup - Black	CCB-U00-G-KIT
Charge and Communication Base with Cup - Healthcare White	CCB-U00-H-KIT
Charge and Communication Base with Contactless Cup - Black	CCB-U00-G-WCKIT
Charge and Communication Base with Contactless Cup - Healthcare White	CCB-U00-H-WCKIT
Presentation Base - Black	CCB-U00-G
Presentation Base - Healthcare White	CCB-U00-H
Cup - Exposed Contacts - Black	1962G-BAT-CUP
Cup - Exposed Contacts - Healthcare White	1962H-BAT-CUP
Cup - Contactless - Black	1962G-WC-CUP
Cup - Contactless - Healthcare White	1962H-WC-CUP
Xenon Ultra 1960 Flexible Presentation Stand	STND-22F00-016-6
Replacement Battery - Contact	BAT-SCN11
Replacement Battery - Black - Contactless	BAT-SCN11WC
Replacement Battery -Healthcare - Contactless	BAT-SCN11WCHC
Replacement Battery-Free Supercapacitor - Contact	SUPCAP-SCN11
Replacement Battery-Free Supercapacitor - Black - Contactless	SUPCAP-SCN11WC
Replacement Battery-Free Supercapacitor - Healthcare - Contactless	SUPCAP-SCN11WCHC

For a complete list of accessories for your scanner and their part numbers see the Accessory Guide for your device, available for download at sps.honeywell.com.

Contact your local sales representative for ordering information.

Agency Models

CCBU, 1962 Cup, 1962 Horizontal, 1962 WC Horizontal

The Presentation Charge and Communication Base (CCB) charges the Xenon Ultra while also communicating via USB, High Speed USB, USB-C, RS232, or Keyboard Wedge. Removable cups can be replaced. See [Replace the Cup](#) beginning on page 9.

Out of the Box

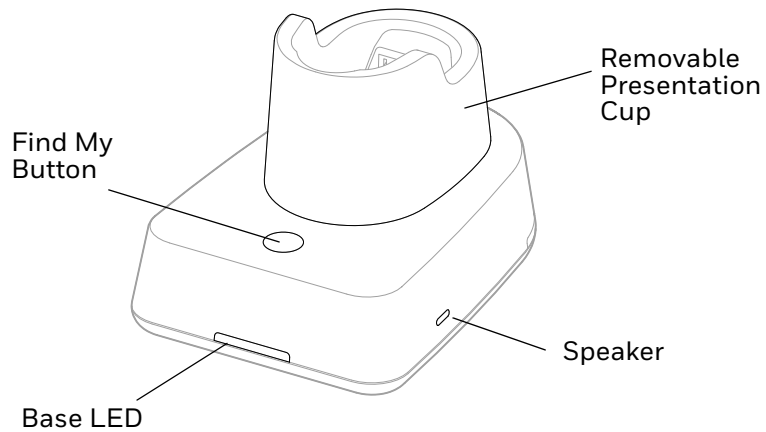
Make sure that your shipping box contains these items:

- Presentation Base
- Power supply
- Interface cable
- Product documentation

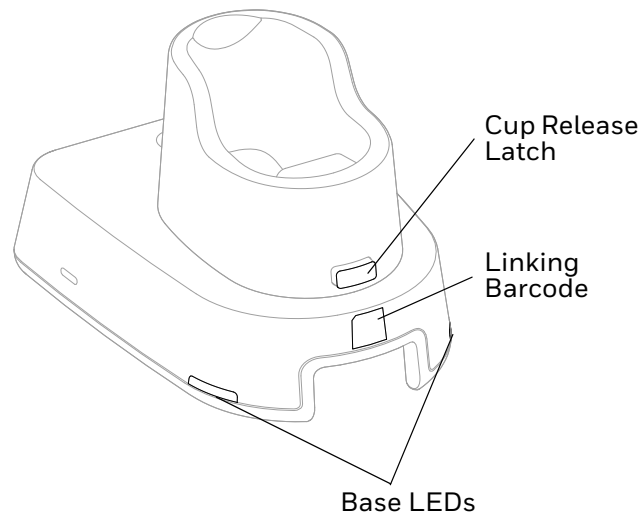
If any of these items are missing or appear damaged, contact your Customer Account Representative. Keep the original packaging in the event that you need to return the base for service or if you want to store the charger while not in use.

Features

Front



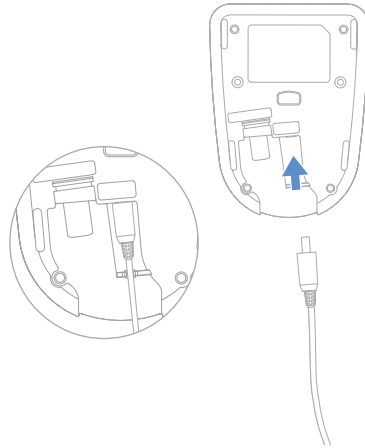
Back



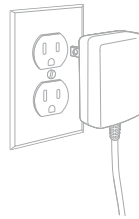
Connect Power

Use only a UL Listed power supply that has been qualified by Honeywell with an output rated at 5.0 VDC and 3.0 A with the device. The power supply input rating is 100-240V, 50/60Hz, and 0.7A. Operating temperature 14 °F to 122 °F (-10 °C to 50 °C).

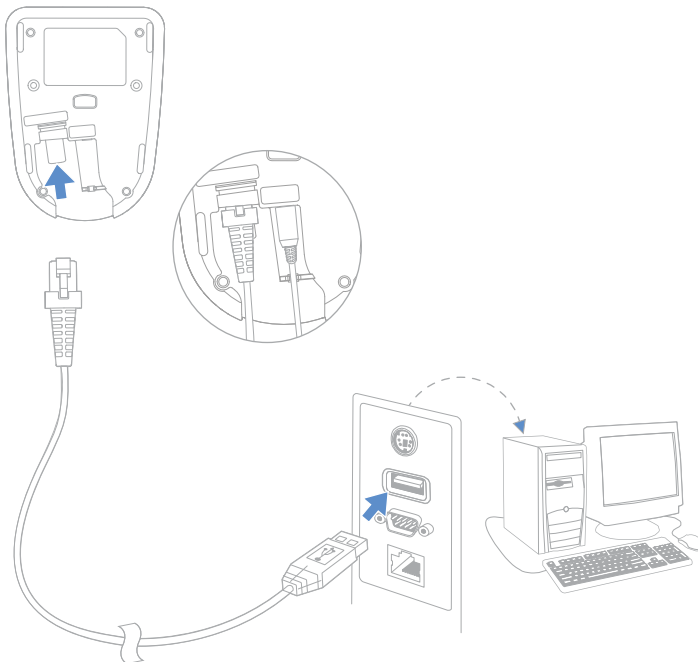
1. Plug the power supply on the bottom of the base.



2. Plug the power supply into a standard wall outlet.



3. Plug the communication cable on the bottom of the base and then to the host. (USB connection shown.)

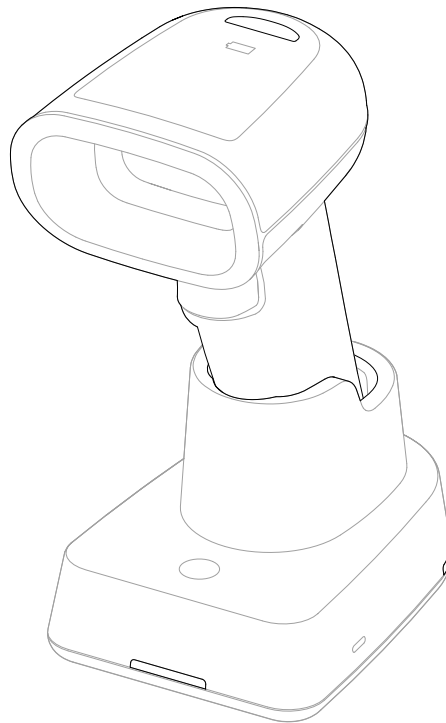


Charge the Scanner



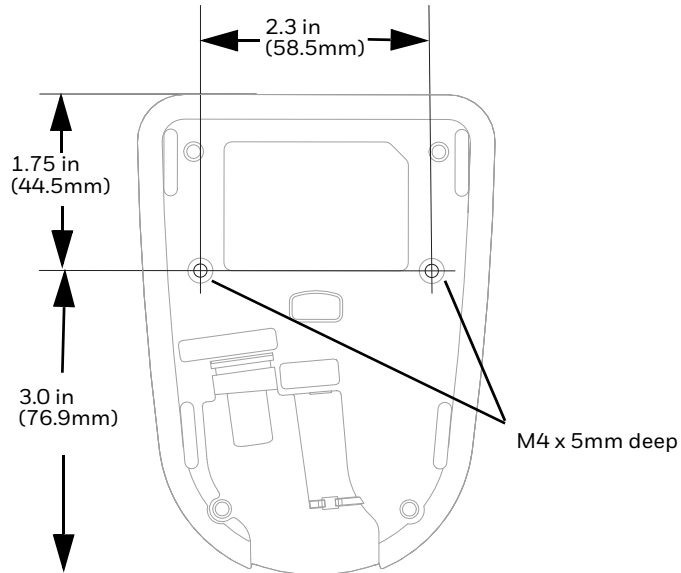
Caution: Ensure all components are dry prior to mating batteries with peripheral devices. Mating wet components may cause damage not covered by the warranty.

Insert the scanner into the CCB. The scanner will not charge unless a battery or battery-free supercapacitor is installed. The LED on the scanner and CCB will blink green when the scanner is properly inserted.



Mount a Presentation CCB

Mount the CCB to a flat, horizontal surface.



Status LED

The LEDs on the base indicates communication and scanning status.

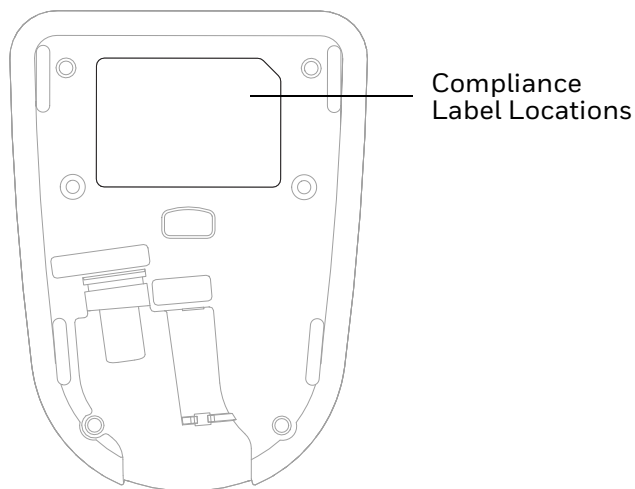
LED Status	Indicates
Off	USB suspend
Red On, solid	Power on, system idle
Short red blinks in multiple pulses. Occurs while transferring data to/from the RF module or the Host port.	Receiving data

Product Specifications

Parameter	Specification
Mechanical	
Height	4.79 inches (121.6 mm)
Length	3.26 inches (82.9 mm)
Width	3.56 inches (90.4 mm)
Weight	Contact: 7.45 oz (214 kg) Contactless: 7.76 oz (220g)
Electrical	

Parameter (Continued)	Specification
Voltage	5 volts
Operating Power (Charging)	2.5W (500 mA @ 5V DC)
Non-Charging Power	0.75W (150 mA @ 5V DC)
Expected Charge Time (Battery)	
Contactless	4.5 hours at room temperature of 46°F to 91°F (8°C to 33°C) May be extended at temperatures lower than 46°F (8°C) or higher than 91°F (33°C)
Contact	4.5 hours
Expected Full Charge Time (Supercapacitor)	
Standard USB	4 minutes
Powered USB/External Wall Power	<60 seconds
Expected Ready-to-Go Charge Time (Supercapacitor)	
Standard USB	60 seconds
Powered USB/External Wall Power	30 seconds
Environmental	
Charging Temperature	41° F to 95° F (5° C to 35° C)
Non-Charging Temperature	32° F to 122° F (0° C to 50° C)
Humidity	Up to 95% non-condensing
Mechanical Drop	Operational after 50 drops from 5.9 feet (1.8 m) to concrete across operating temperature
ESD Sensitivity	Up to 15kV direct air Up to 8 kV indirect coupling plane
IP Rating	IP41

Required Safety Labels



REPLACE THE CUP

The Presentation CCB have removable cups that can be replaced with 1962G-BAT-CUP, 1962H-BAT-CUP, 1962G-WC-CUP, or 1962H-WC-CUP.

Out of the Box

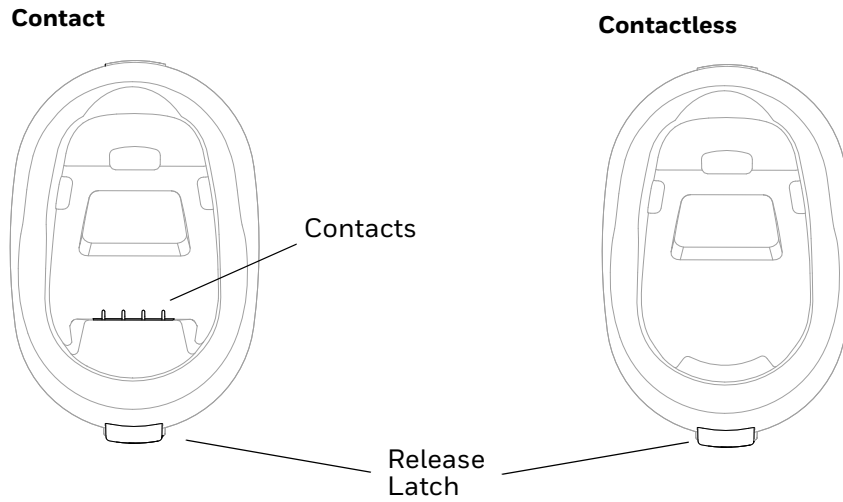
Make sure that your shipping box contains these items:

- Presentation Cup
- Product documentation

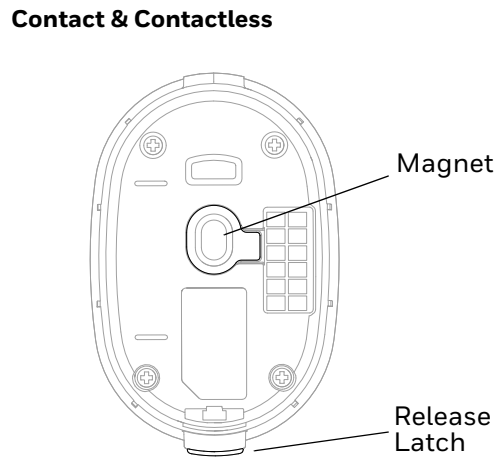
If any of these items are missing or appear damaged, contact your Customer Account Representative. Keep the original packaging in the event that you need to return the cup for service.

Features

Front



Back

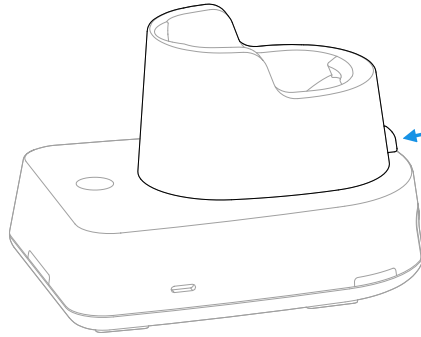


Replace the Cup

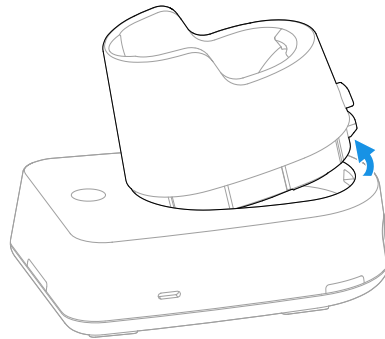


Caution: Ensure all components are dry prior to mating batteries with peripheral devices. Mating wet components may cause damage not covered by the warranty.

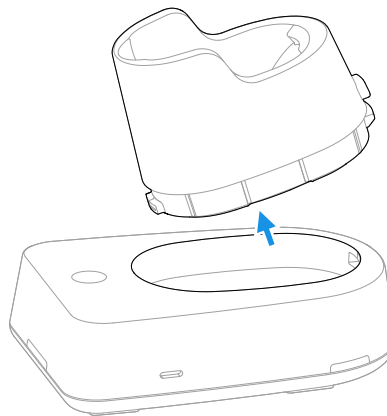
1. Push the release latch in.



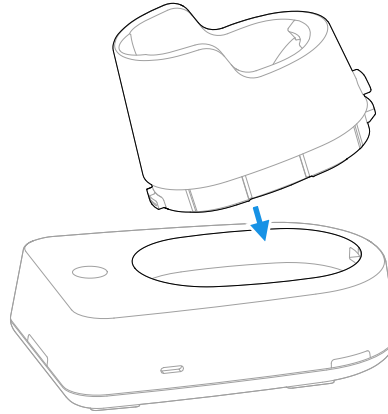
2. Tilt the latch side of the cup upwards.



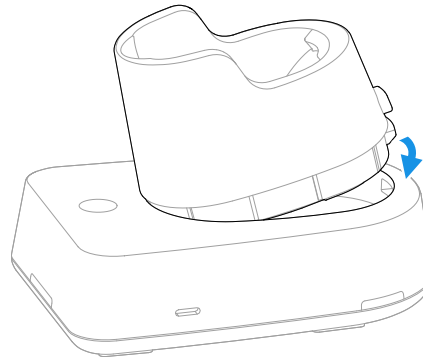
3. Lift the old cup out of the base.



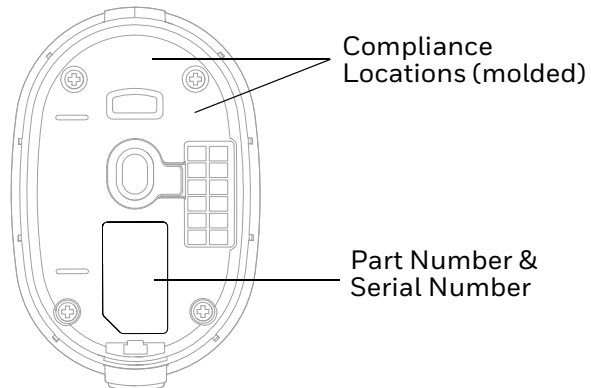
4. Insert the new cup tilted slightly towards the front of the base.



5. Push the cup into the base until it snaps in.

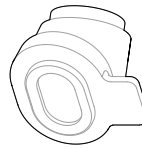


Required Safety Labels

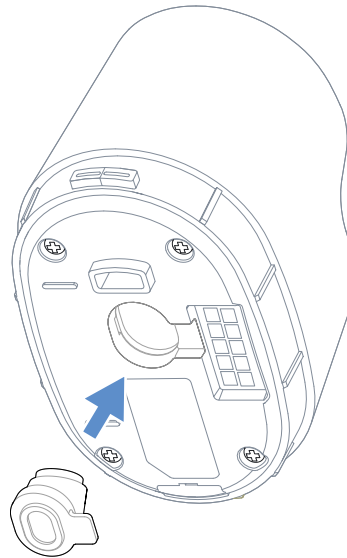


REPLACE THE MAGNET

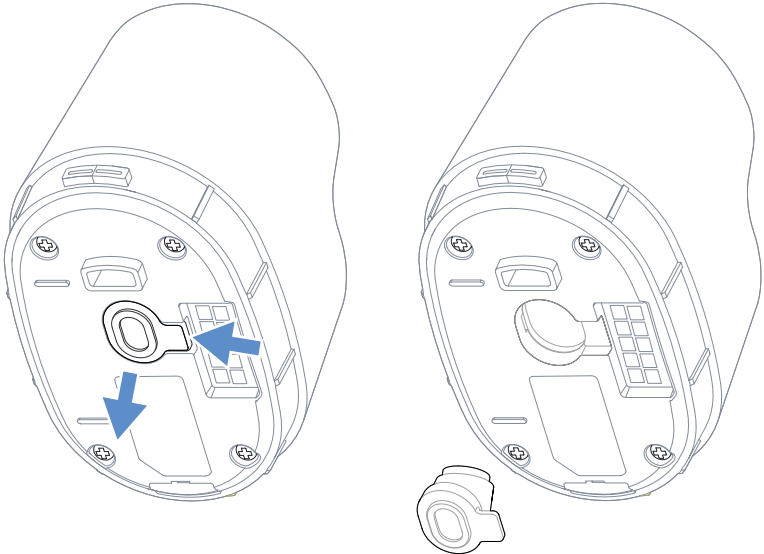
Each Presentation Cup has a magnet installed on the bottom. If the magnet is lost, comes out, or not desired, follow the images below on how to install or remove the magnet.



Install the Magnet



Remove the Magnet



REPLACE THE END CAP

The battery and battery-free supercapacitor can be replaced. Contact versions will include an end cap and screw. Contactless versions will have the end cap molded to the battery or battery-free supercapacitor.



Caution: Before you attempt to use, charge or replace the battery in the device, carefully read all labels, markings and product documentation provided in the box or online at sps.honeywell.com. To learn more about Battery Maintenance for Portable Devices, go to honeywell.com/PSS-BatteryMaintenance.

Mise en garde : Avant d'essayer d'utiliser, de charger ou de remplacer la batterie de l'appareil, lisez attentivement toutes les étiquettes, marquages et documentation du produit fournis dans la boîte ou en ligne à sps.honeywell.com. Pour en savoir plus sur l'Entretien de Batteries pour Appareils Portables, consultez-le honeywell.com/PSS-BatteryMaintenance.



Caution: We recommend use of Honeywell Li-ion battery packs. Use of any non-Honeywell battery may result in damage not covered by the warranty.

Mise en garde : Mise en garde: Nous recommandons l'utilisation de batteries Li-ion de la marque Honeywell. L'utilisation d'une batterie d'un autre fabricant est susceptible de provoquer des dommages non couverts par la garantie



Caution: Make sure that all components are dry prior to using the computers and batteries with accessories. Using wet components may cause damage not covered by the warranty.

Mise en garde : Assurez-vous que tous les composants sont secs avant de connecter les terminaux/batteries à des périphériques. L'insertion de composants humides risque de provoquer des dommages non couverts par la garantie.

Out of the Box

Make sure that your shipping box contains:

- Contact Battery/Battery-Free Supercapacitor with End Cap or Contactless Battery/Battery-Free Supercapacitor with attached End Cap
- Screw
- Product Documentation

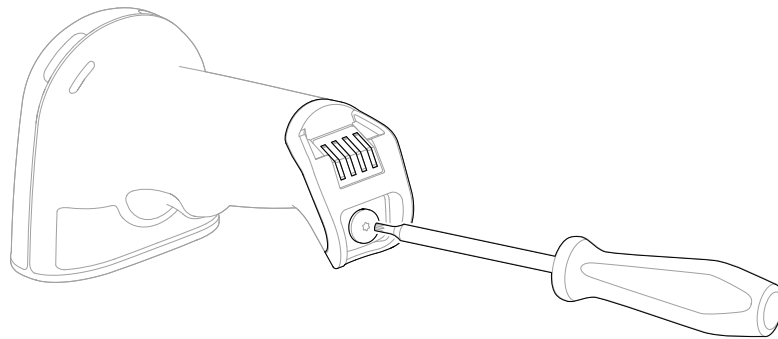
If it appears damaged, contact your Customer Account Representative. Keep the original packaging in the event that you need to return the end cap for service.

Replace Contact Battery or Battery-free Supercapacitor

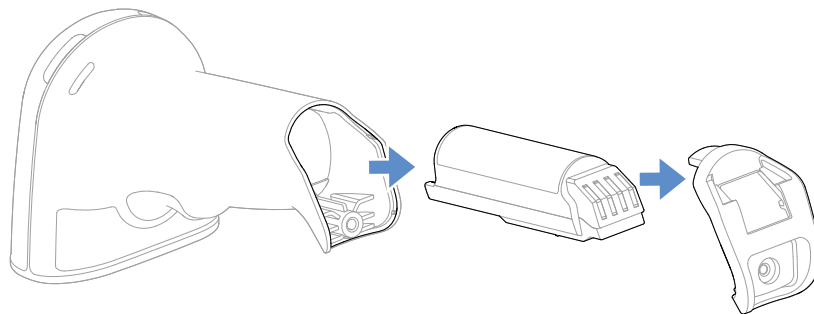


Caution: Ensure all components are dry prior to mating batteries with peripheral devices. Mating wet components may cause damage not covered by the warranty.

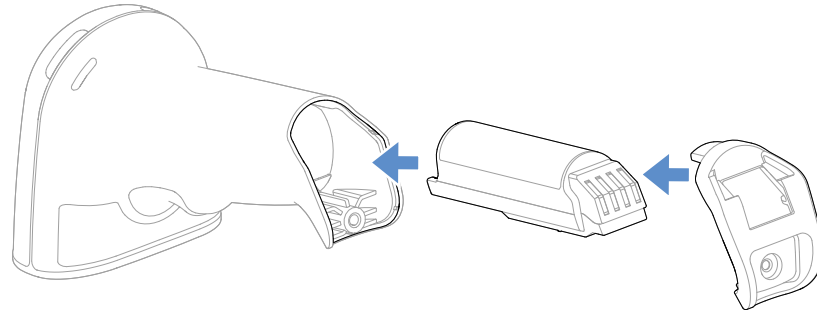
1. Remove the screw on the bottom of the scanner with a T10 torx. Keep the screw nearby.



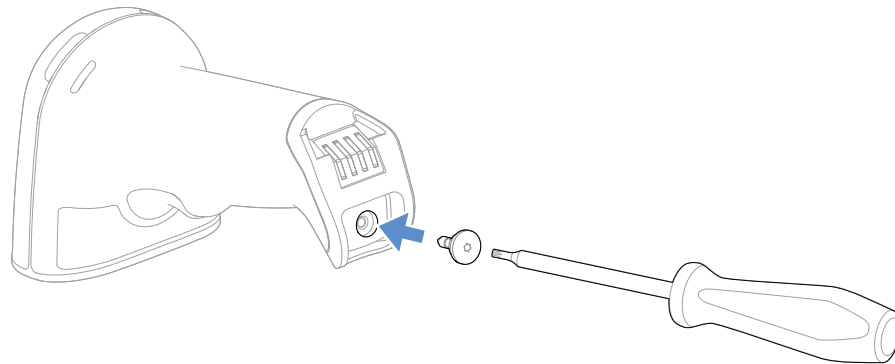
2. Remove the end cap and remove the battery or battery-free supercapacitor from the handle.



3. Insert the replacement battery or battery-free supercapacitor.



4. Replace the end cap and screw together.

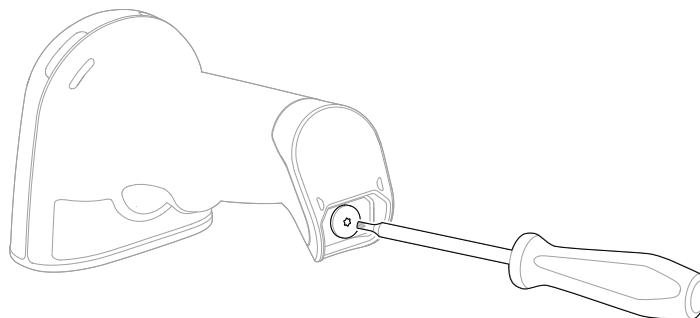


Replace Contactless Battery or Battery-free Supercapacitor

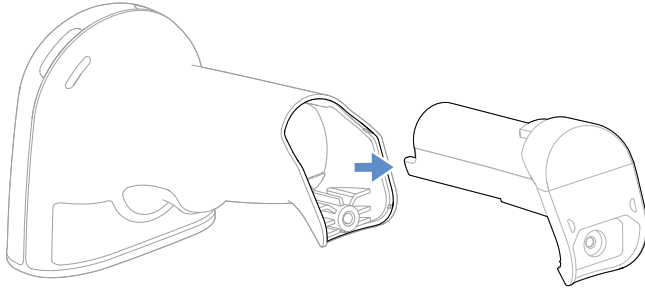


Caution: Ensure all components are dry prior to mating batteries with peripheral devices. Mating wet components may cause damage not covered by the warranty.

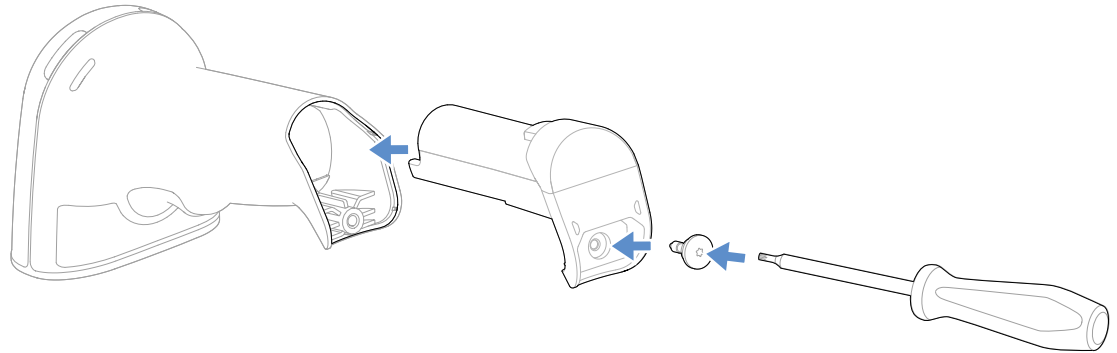
1. Remove the screw on the bottom of the scanner with a T10 torx. Keep the screw nearby.



2. Remove the end cap/battery or supercapacitor from the handle.



3. Replace the end cap/battery or battery-free supercapacitor and screw together.



HORIZONTAL CCB

The Horizontal Charge and Communication Base (CCB) charges the Xenon Ultra while also communicating via USB, High Speed USB, USB-C, RS232, or Keyboard Wedge.

Note: *You must order a contact or contactless Horizontal CCB dependent on your scanner battery type. The bases are not interchangeable.*

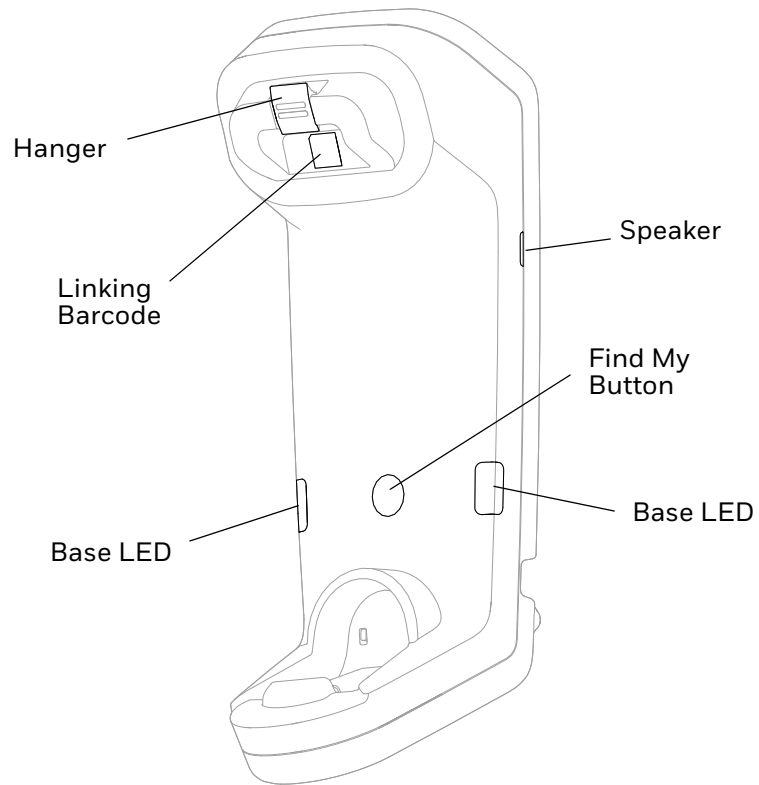
Out of the Box

Make sure that your shipping box contains these items:

- Horizontal Base
- Power supply
- Interface cable
- Product documentation

If any of these items are missing or appear damaged, contact your Customer Account Representative. Keep the original packaging in the event that you need to return the base for service or if you want to store the charger while not in use.

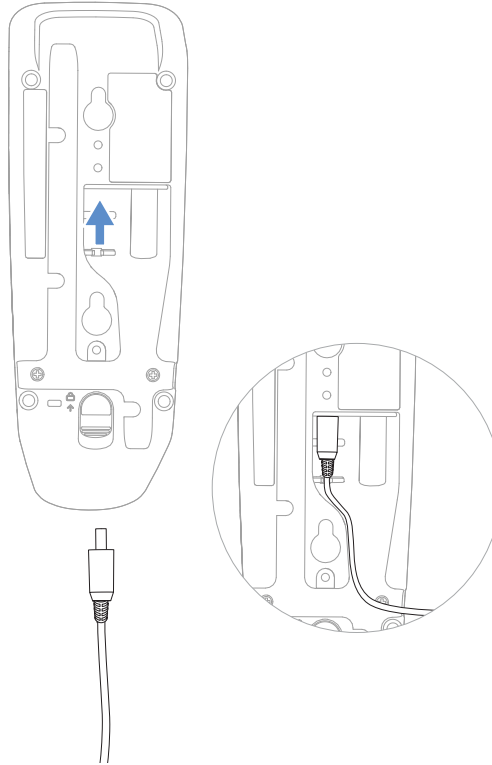
Features



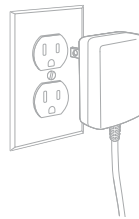
Connect Power

Use only a UL Listed power supply that has been qualified by Honeywell with an output rated at 5.0 VDC and 3.0 A with the device. The power supply input rating is 100-240V, 50/60Hz, and 0.7A. Operating temperature 14 °F to 122 °F (-10 °C to 50 °C).

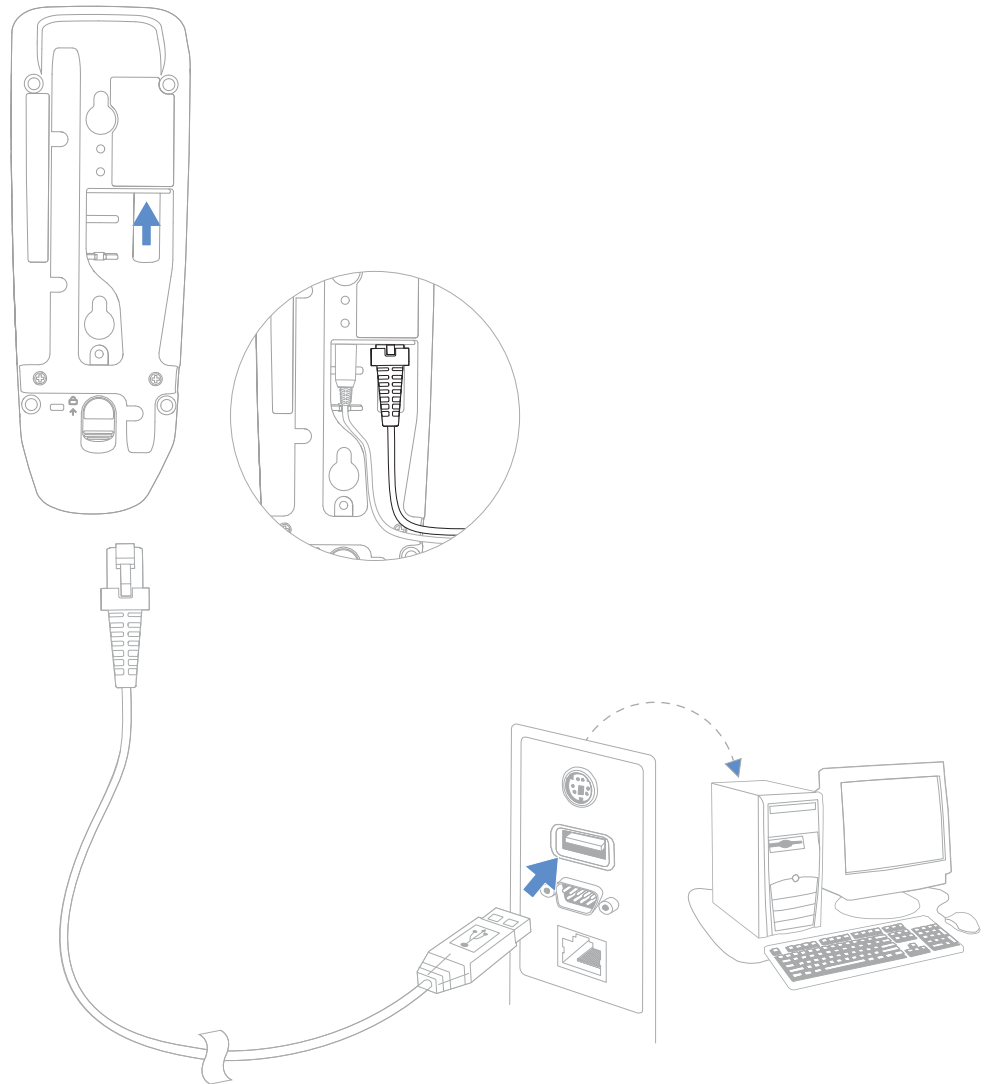
1. Plug the power supply on the bottom of the base.



2. Plug the power supply into a standard wall outlet.



3. Plug the communication cable on the bottom of the base and then to the host. (USB connection shown.)

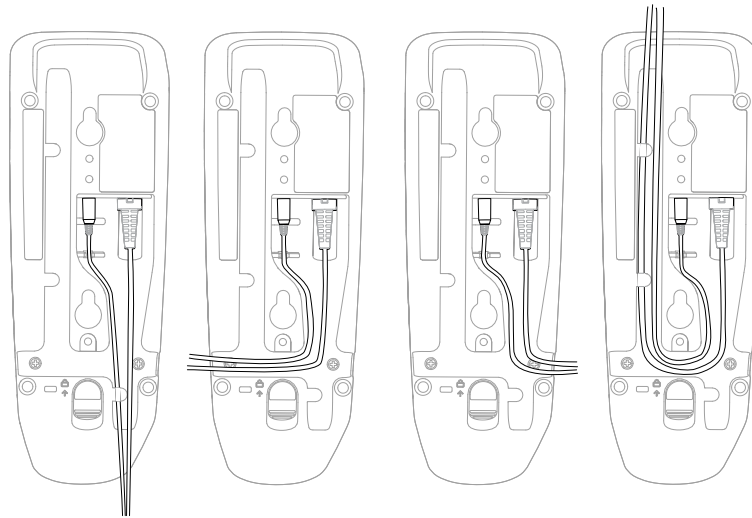


Route the Cables



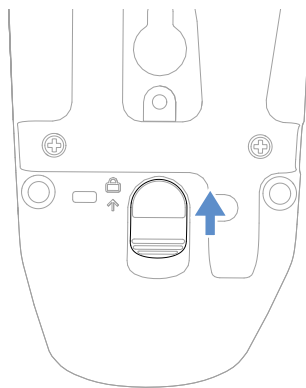
Caution: Ensure all components are dry prior to mating batteries with peripheral devices. Mating wet components may cause damage not covered by the warranty.

Insert the scanner into the Horizontal CCB. The scanner will not charge unless a battery or battery-free supercapacitor is installed. The LED on the scanner and Horizontal CCB will blink green when the scanner is properly inserted.

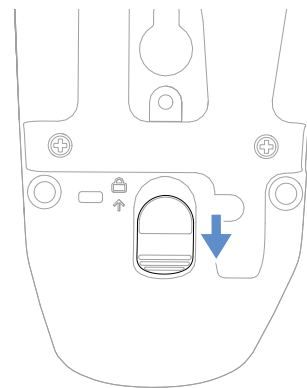


Locking System

When mounted on a vertical surface, a locking system is used to secure the scanner when it is in the stand. When mounted on a horizontal surface, the locking mechanism should be set to **unlocked** (pushed down). When mounted on a vertical surface, the locking mechanism should be set to **locked** (pushed up).



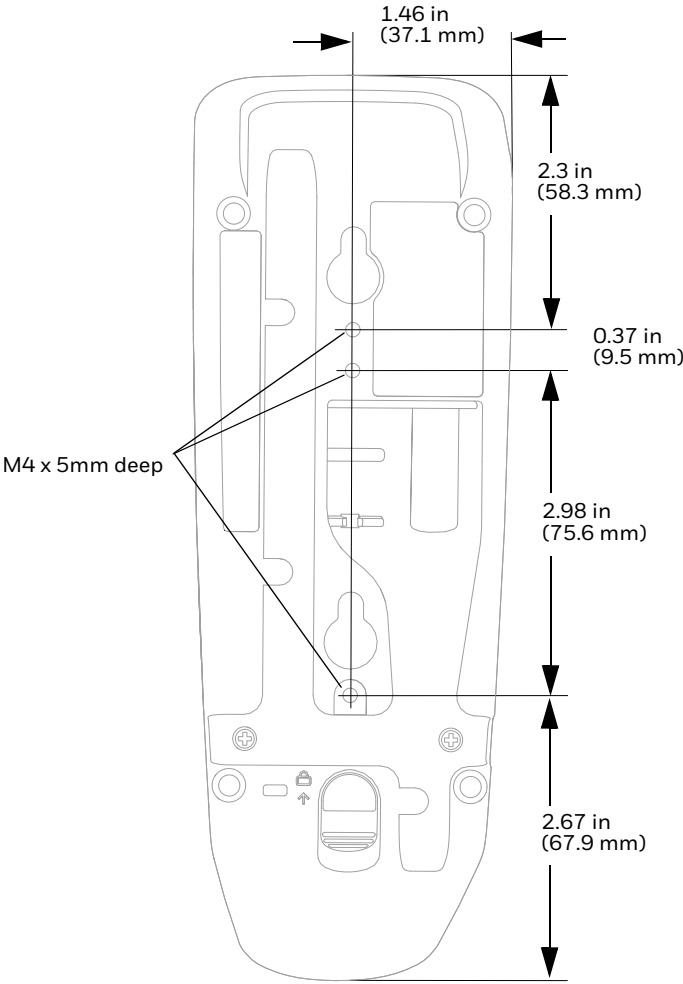
Locked Position for Vertical Mount



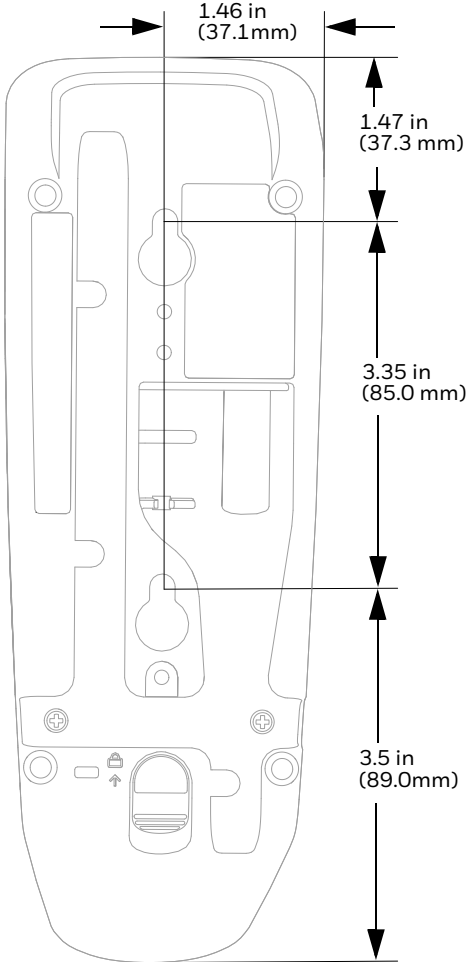
Unlocked Position for Horizontal Mount

Mount the Horizontal CCB

Horizontal Mount



Vertical Mount



Status LED

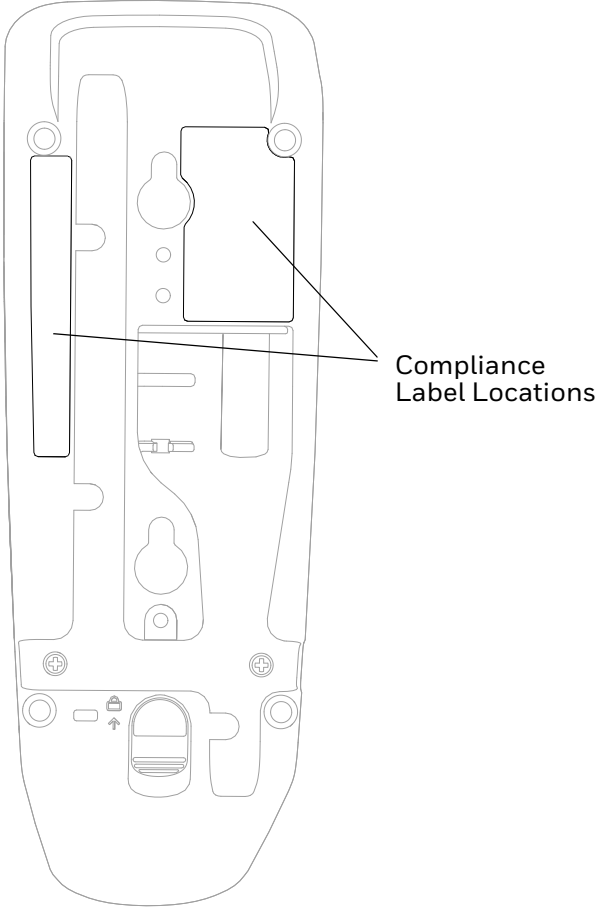
The LEDs on the scanner indicates the battery charging status.

LED Status	Indicates
Off	USB suspend
Red On, solid	Power on, system idle
Short red blinks in multiple pulses. Occurs while transferring data to/from the RF module or the Host port.	Receiving data.

Product Specifications

Parameter	Specification
Mechanical	
Height	3.06 inches (77.7 mm)
Length	8.32 inches (211.3 mm)
Width	2.92 inches (74.2 mm)
Weight	Contact: 7.87 oz (223g) Contactless: 8.08 oz (229g)
Electrical	
Voltage	5 volts
Operating Power (Charging)	2.5W (500 mA @ 5V DC)
Non-Charging Power	0.75W (150 mA @ 5V DC)
Expected Charge Time (Battery)	
Contactless	4.5 hours at room temperature of 46°F to 91°F (8°C to 33°C) May be extended at temperatures lower than 46°F (8°C) or higher than 91°F (33°C)
Contact	4.5 hours
Expected Full Charge Time (Supercapacitor)	
Standard USB	4 minutes
Powered USB/External Wall Power	<60 seconds
Expected Ready-to-Go Charge Time (Supercapacitor)	
Standard USB	60 seconds
Powered USB/External Wall Power	30 seconds
Environmental	
Charging Temperature	41° F to 95° F (5° C to 35° C)
Non-Charging Temperature	32° F to 122° F (0° C to 50° C)
Humidity	Up to 95% non-condensing
Mechanical Drop	Operational after 50 drops from 5.9 feet (1.8 m) to concrete across operating temperature
ESD Sensitivity	Up to 15kV direct air Up to 8 kV indirect coupling plane
IP Rating	IP41

Required Safety Labels

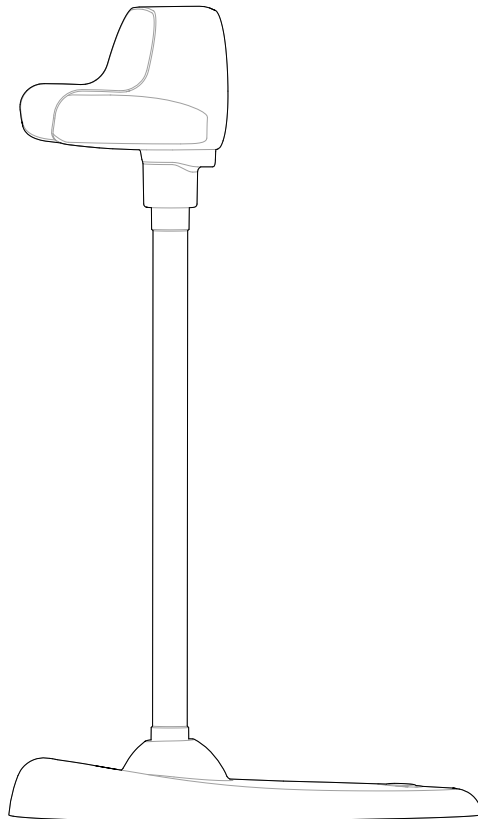


Out of the Box

Make sure that your shipping box contains:

- Flex Stand (STND-22F00-016-6)

If it appears damaged, contact your Customer Account Representative. Keep the original packaging in the event that you need to return the base for service or if you want to store the charger while not in use.



Honeywell
855 S. Mint St.
Charlotte, NC 28202

sps.honeywell.com